



Cotswold Sound Systems

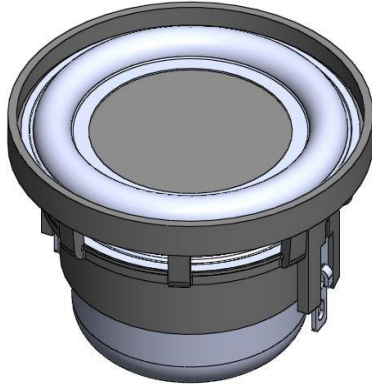
3 Brooks Orchard, Shrewton, Salisbury, SP3 4JG, UK

tel: +44 (0) 7557 922 871

email: j.vizor@btinternet.com

Specification Sheet

BMR28 N8R – 1 5/8 inch – 8ohm



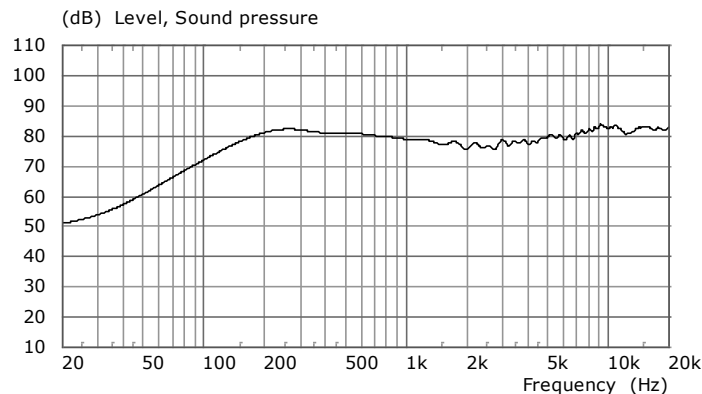
T/S parameter	value	unit
Re	8.100	ohm
Le	0.035	mH
Re2	1.377	ohm
Le2	0.049	mH
BL	2.420	Tm
Mms	0.704	gm
Cms	0.761	mm/N
Vas	0.070	litre
Rms	0.214	Ns/m
fs	217.3	Hz
Qms	4.484	
Qes	1.329	
Qts	1.025	
Sd	8.042	cm ²
SPL for 2.83 volts	79.2	dB
Max. Excursion (pk-pk)	6	mm
Power Handling IEC268-5 (250Hz hi-pass)	7	W

Features

- **Balanced Mode Radiator (BMR), Internationally Patented Technology**
- **Black finish, with chassis moulded in Engineering Grade plastic**
- **High temperature magnets, with full magnetic shielding**
- **Overall dimensions: 42 mm round x 28 mm deep (overall)**
- **Weight: 62 gm**
- **Available with varying grades of Neodymium**

Frequency Response (on-axis):

2.83volts/1m



Sound Power Response:

(calculated)

