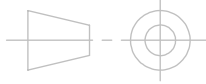


DO NOT SCALE

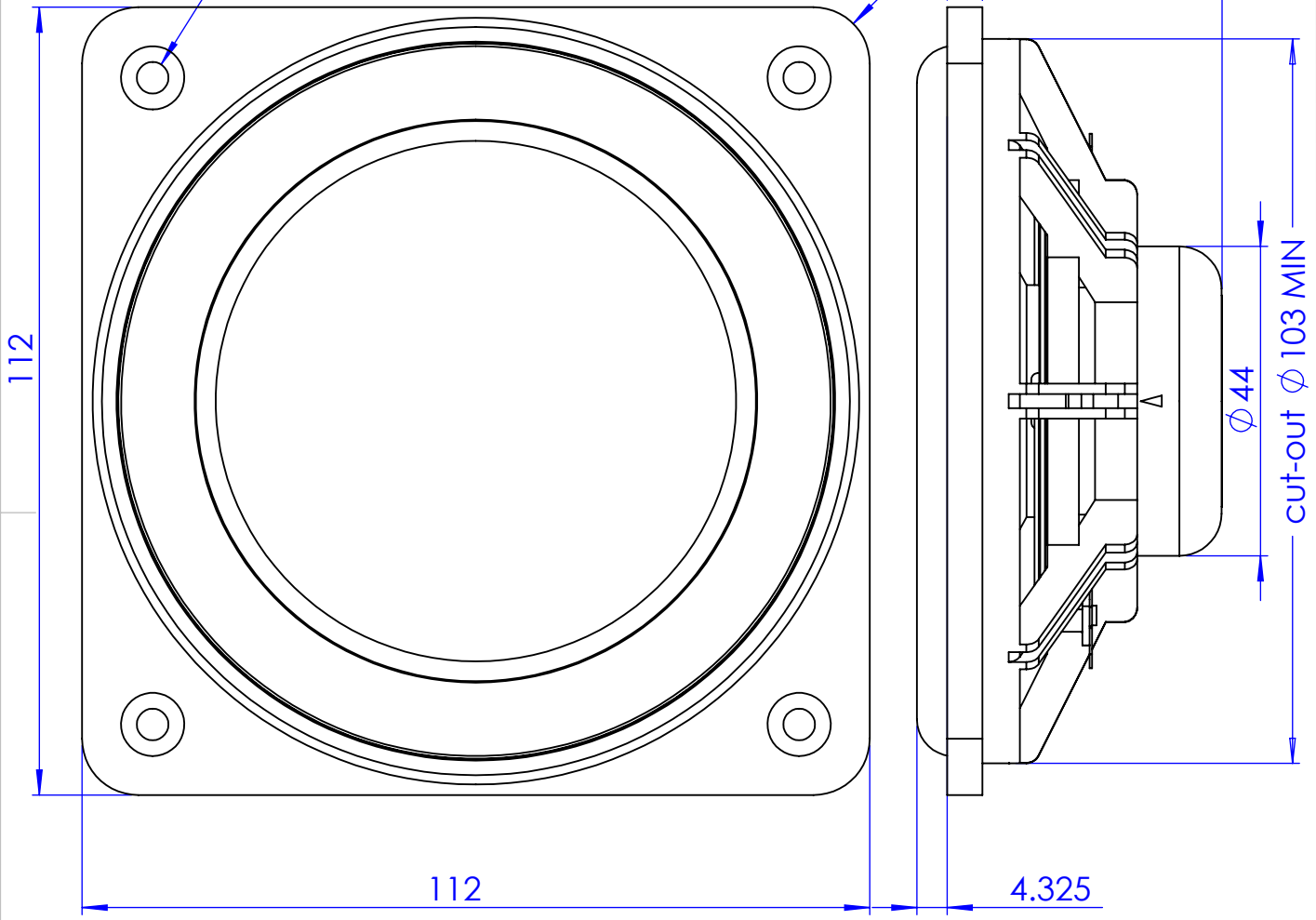
CONFIDENTIAL ©



REVISIONS		
REV.	DESCRIPTION	DATE
A	Release	27/05/2010

A
B
C
D
E

4off on 130 PCD
 ϕ 4.5 THRU
 \square ϕ 9 ∇ 1.5



THE COPYRIGHT & INTELLECTUAL PROPERTY OF THIS DRAWING IS VESTED IN: DEBEN ACOUSTICS LTD., WOODBRIDGE, ENGLAND AND/OR COTSWOLD SOUND SYSTEMS LTD.

SHEET 1 OF 1		CLIENT:CSS	TITLE:BMR85DD_Architectural	DATE: 27/05/2010
Tolerance Band		MATERIAL: See Notes	Drawing: BMR85DD_architectural	SCALE 1:1
DIMENSIONS in mm		FINISH: See Notes	DEBENACOUSTICS Woodbridge, Suffolk, England, IP12 4WW email: g.bank@debenacoustics.com	
0.00 - 25.00	\pm 0.10			
25.01 - 50.00	\pm 0.15			
50.01 - 100.00	\pm 0.20			
100.01 - ABOVE	\pm 0.30			

A4