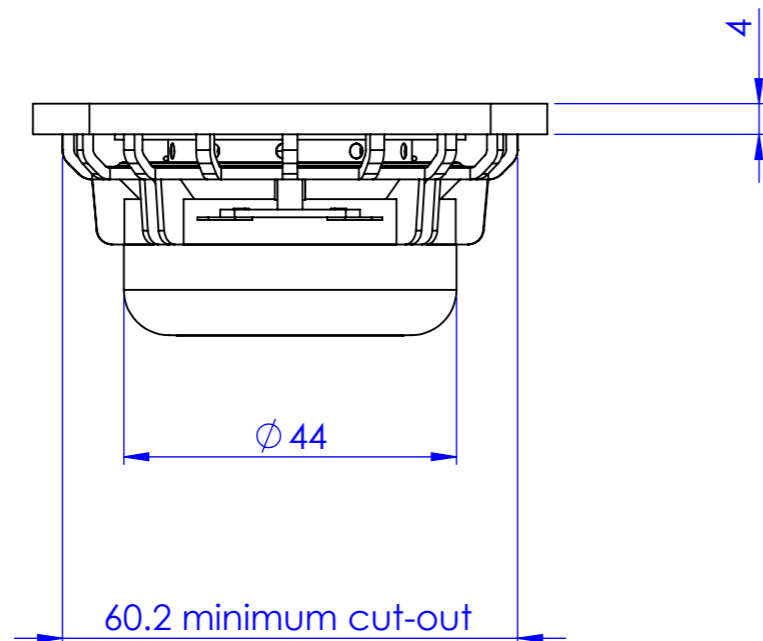
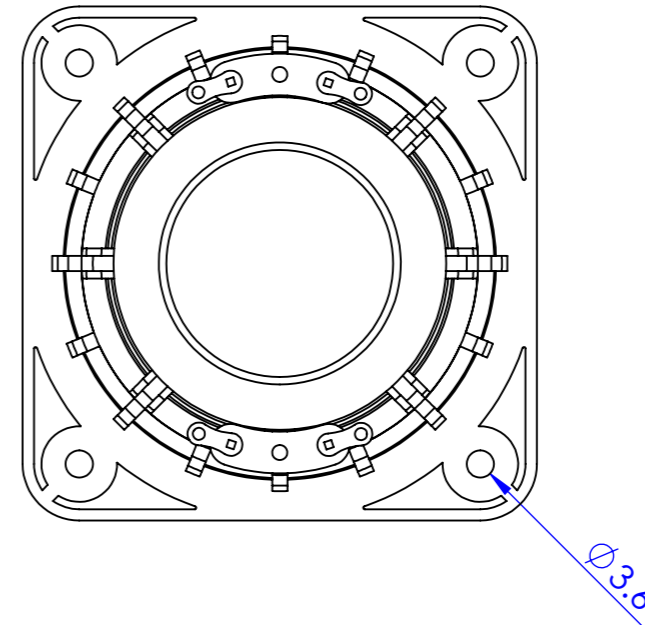
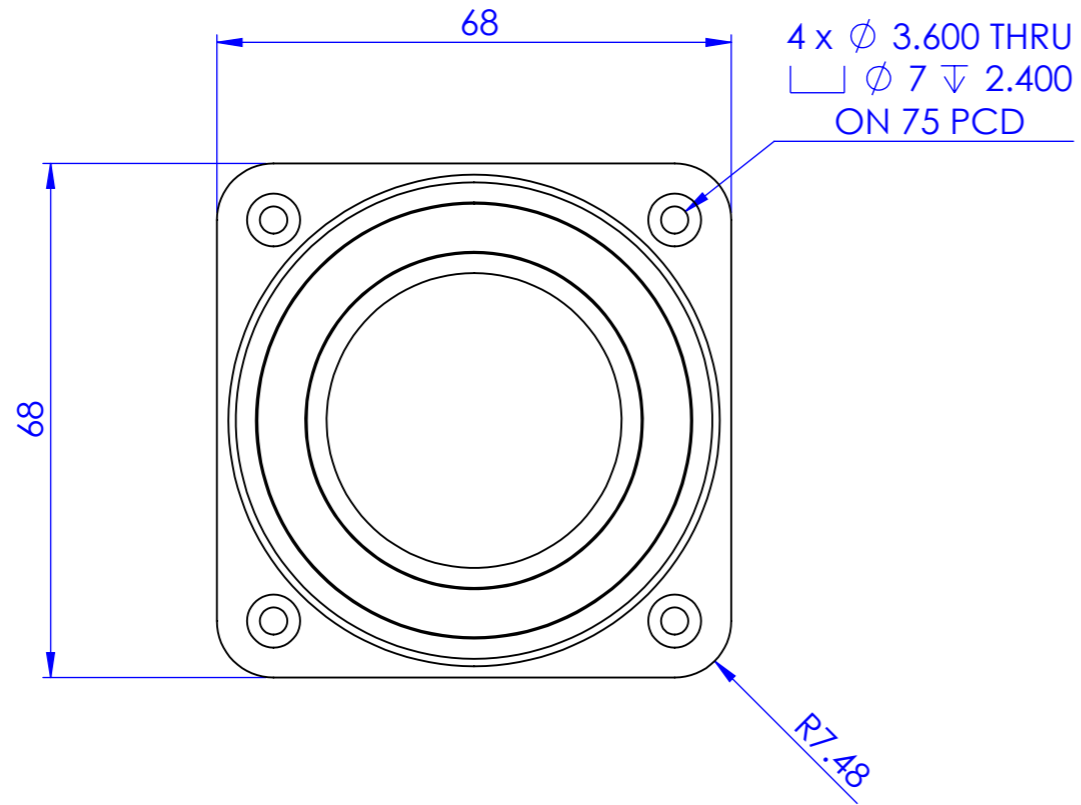
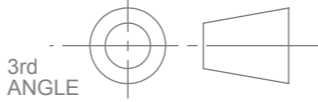


REVISIONS		
REV.	DESCRIPTION	DATE
A	Original	11/05/2012



THE COPYRIGHT & INTELLECTUAL PROPERTY OF THIS DRAWING IS VESTED IN: DEBEN ACOUSTICS LTD., WOODBRIDGE, ENGLAND AND/OR COTSWOLD SOUND SYSTEMS LTD.

 DO NOT SCALE	TITLE: BMR46_Architectural_Assembly	DATE 11/05/2012								
	CLIENT: CSS	DRG. No.								
SHEET 1 OF 1	MATERIAL SEE NOTES	DRG. BY: G Bank								
	FINISH SEE NOTES	SCALE 1:1								
TOLERANCE BAND DIMENSIONS IN mm	DEBENACOUSTICS Woodbridge, Suffolk, England, IP12 4WW email: g.bank@debenacoustics.com									
<table border="1"> <tr> <td>0.00 - 25.00</td> <td>\pm0.10</td> </tr> <tr> <td>25.01 - 50.00</td> <td>\pm0.15</td> </tr> <tr> <td>50.01 - 100.00</td> <td>\pm0.20</td> </tr> <tr> <td>100.01 - ABOVE</td> <td>\pm0.30</td> </tr> </table>	0.00 - 25.00	\pm 0.10	25.01 - 50.00	\pm 0.15	50.01 - 100.00	\pm 0.20	100.01 - ABOVE	\pm 0.30	CONFIDENTIAL ©	
0.00 - 25.00	\pm 0.10									
25.01 - 50.00	\pm 0.15									
50.01 - 100.00	\pm 0.20									
100.01 - ABOVE	\pm 0.30									

A3