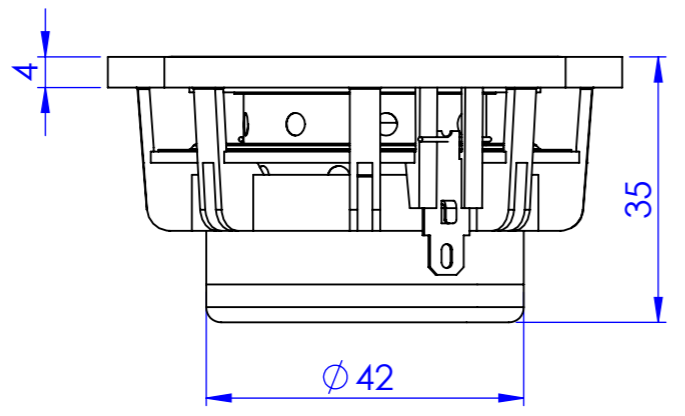
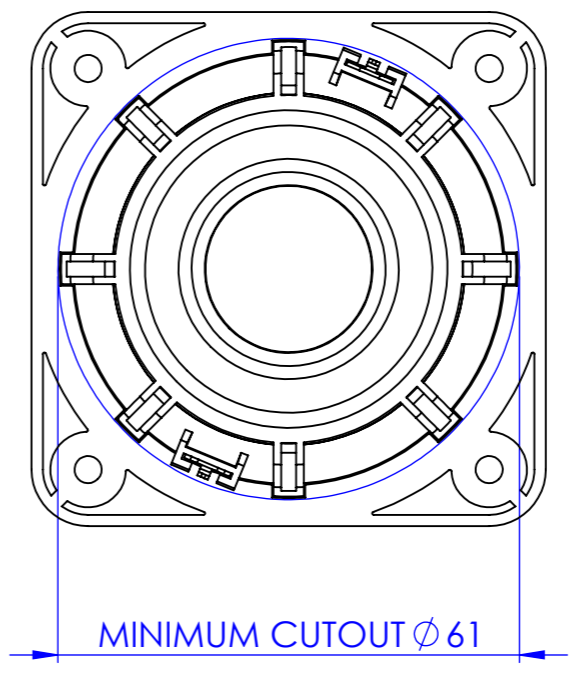
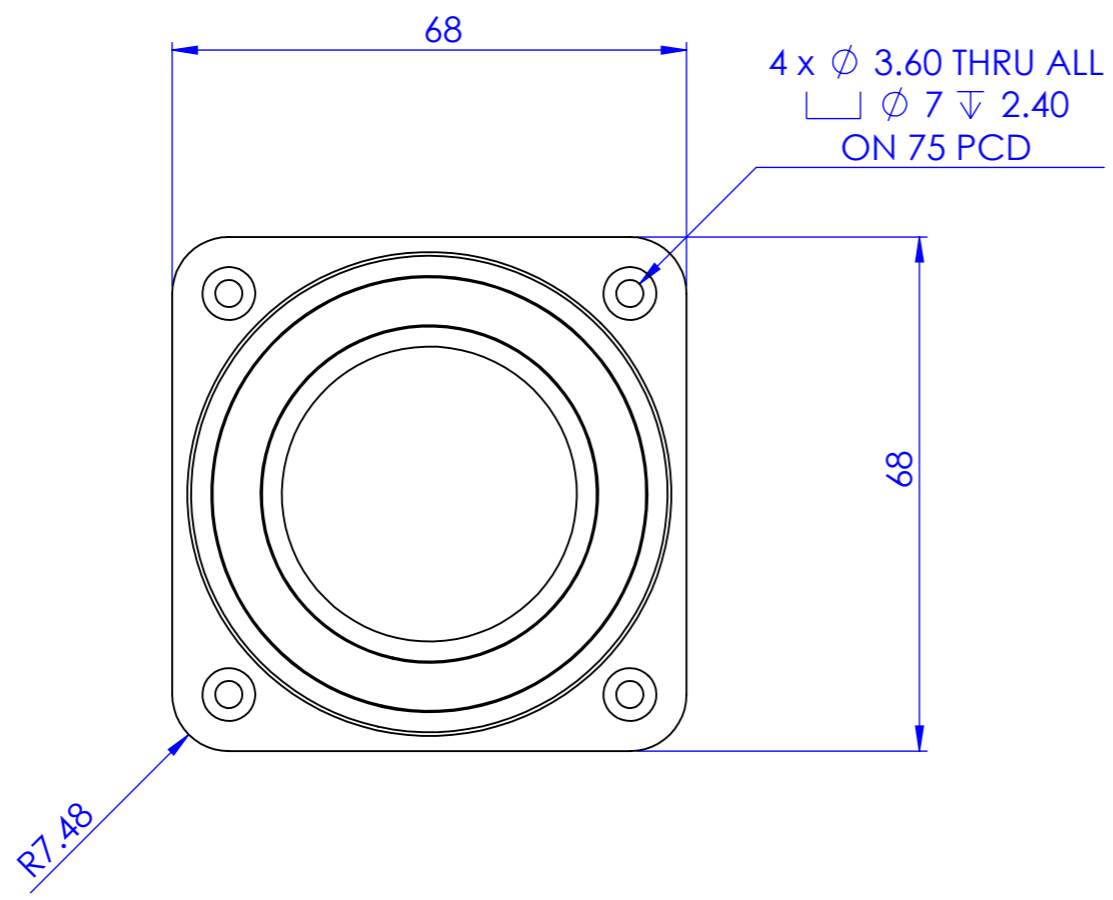
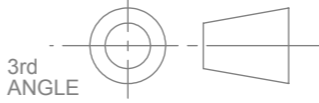


REVISIONS		
REV.	DESCRIPTION	DATE
A	Original	15/04/2013



THE COPYRIGHT & INTELLECTUAL PROPERTY OF THIS DRAWING IS VESTED IN: DEBEN ACOUSTICS LTD., WOODBRIDGE, ENGLAND AND/OR COTSWOLD SOUND SYTEMS LTD.

 3rd ANGLE	TITLE: BMR46XE_Architectural	DATE 16/04/2013
		DRG. No.
DO NOT SCALE	CLIENT: CSS	DRG. BY: G Bank
SHEET 1 OF 1	MATERIAL SEE NOTES	FINISH SEE NOTES
		SCALE 1:1
TOLERANCE BAND DIMENSIONS IN mm		
0.00 - 25.00	±0.10	
25.01 - 50.00	±0.15	
50.01 - 100.00	±0.20	
100.01 - ABOVE	±0.30	
CONFIDENTIAL ©		
DEBENACOUSTICS Woodbridge, Suffolk, England, IP12 4WW email: g.bank@debenacoustics.com		A3