

A

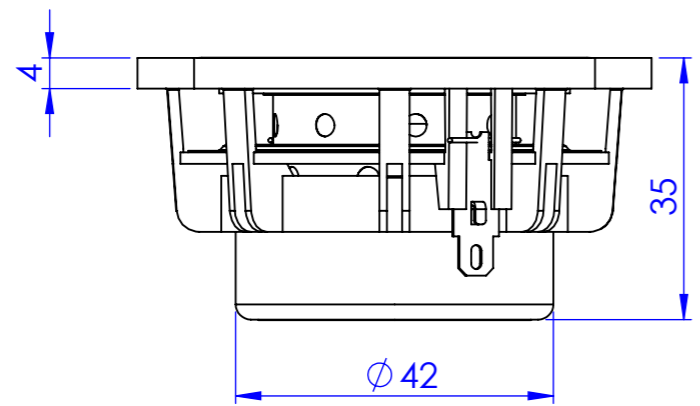
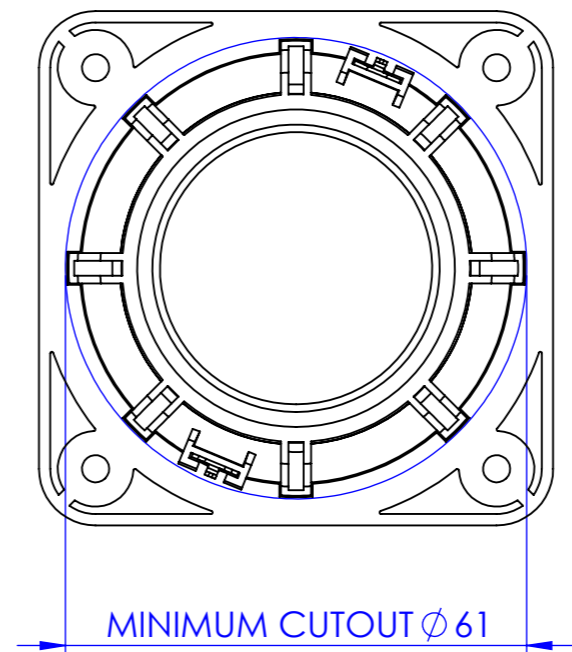
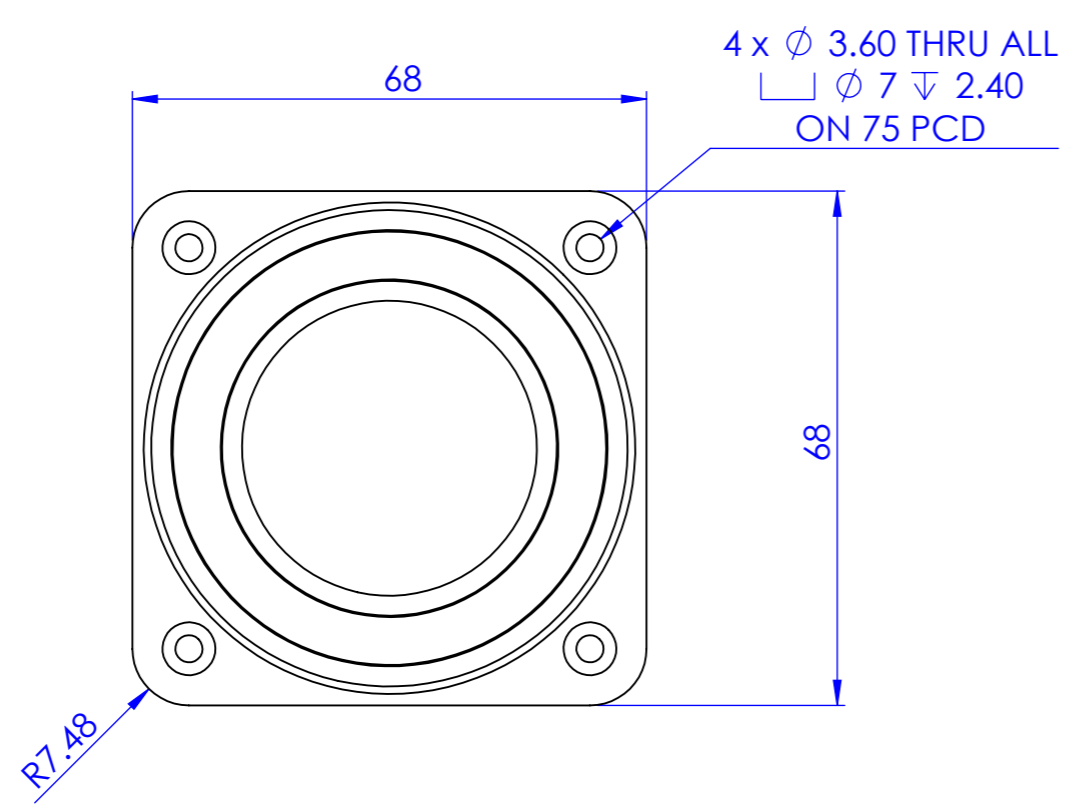
B

C

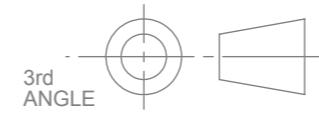
D

E

F



THE COPYRIGHT & INTELLECTUAL PROPERTY OF THIS DRAWING IS VESTED IN: DEBEN ACOUSTICS LTD., WOODBRIDGE, ENGLAND AND/OR COTSWOLD SOUND SYSTEMS LTD.

	TITLE: BMR46XEL_Architectural		DATE 03/10/2016
			DRG. No.
<b>DO NOT SCALE</b>	CLIENT: CSS		DRG. BY: G Bank
<b>SHEET 1 OF 1</b>	MATERIAL SEE NOTES	FINISH SEE NOTES	SCALE 1:1
<b>TOLERANCE BAND</b> DIMENSIONS IN mm		<b>DEBENACOUSTICS</b> Woodbridge, Suffolk, England, IP12 4WW email: g.bank@debenacoustics.com	
0.00 - 25.00 ±0.10			
25.01 - 50.00 ±0.15			
50.01 - 100.00 ±0.20			
100.01 - ABOVE ±0.30			
<b>CONFIDENTIAL ©</b>			

A3