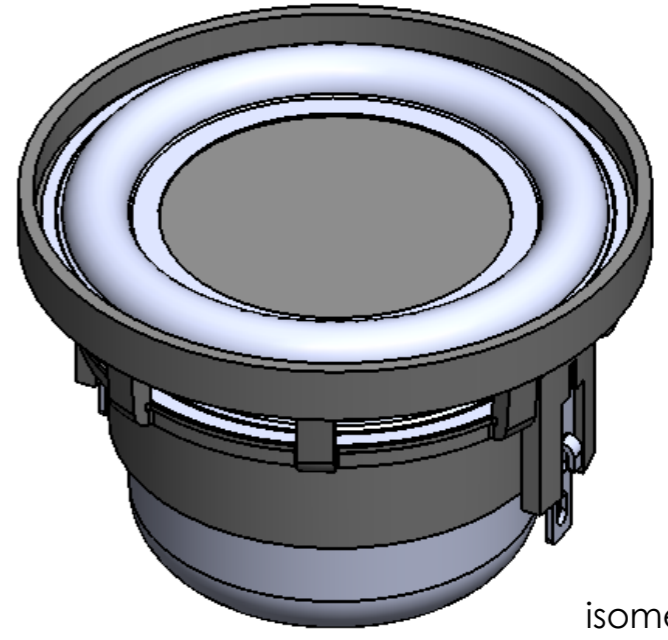
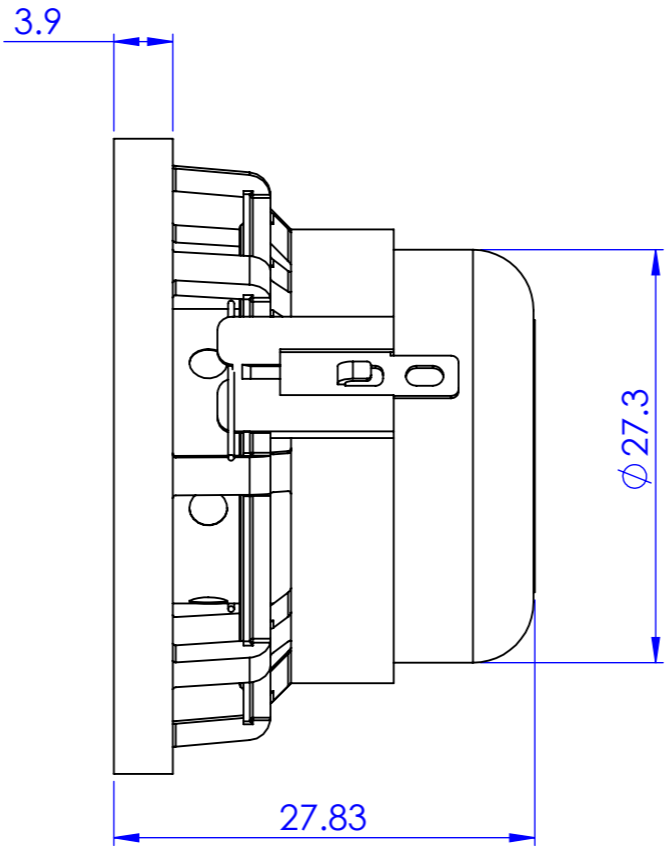
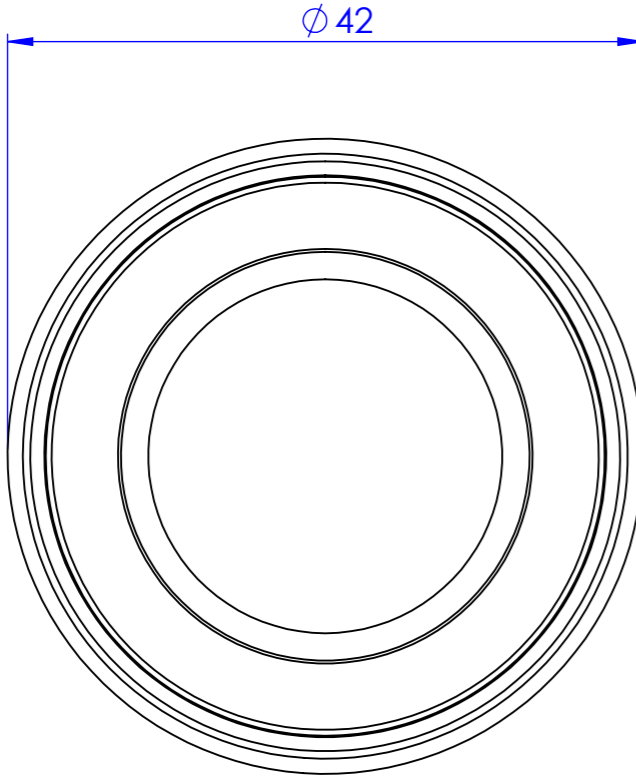
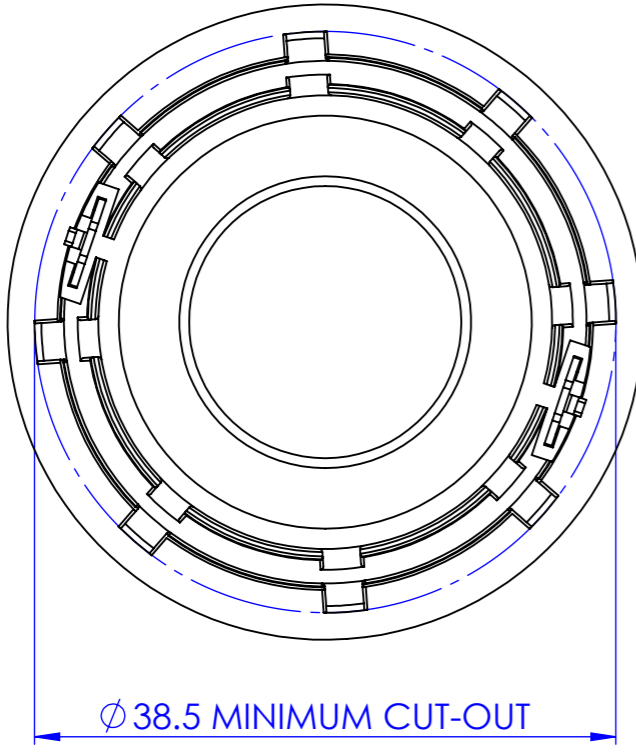


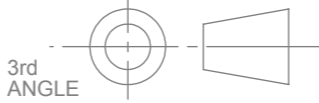
REVISIONS		
REV.	DESCRIPTION	DATE
A	Prototype	01/08/2013
B	add minimum cut-out dimension	15/07/2014



isometric view



THE COPYRIGHT & INTELLECTUAL PROPERTY OF THIS DRAWING IS VESTED IN: DEBEN ACOUSTICS LTD., WOODBRIDGE, ENGLAND AND/OR COTSWOLD SOUND SYTEMS LTD.

 <p>3rd ANGLE</p>	TITLE: BMR28_General_Assembly		DATE 01/08/2013								
	CLIENT: DA		DRG. No.								
<p>DO NOT SCALE</p> <p>SHEET 1 OF 1</p>	MATERIAL	FINISH	DRG. BY: G Bank								
	SEE NOTES	SEE NOTES	SCALE 2:1								
<p>TOLERANCE BAND</p> <p>DIMENSIONS IN mm</p> <table border="1"> <tr> <td>0.00 - 25.00</td> <td>±0.10</td> </tr> <tr> <td>25.01 - 50.00</td> <td>±0.15</td> </tr> <tr> <td>50.01 - 100.00</td> <td>±0.20</td> </tr> <tr> <td>100.01 - ABOVE</td> <td>±0.30</td> </tr> </table>		0.00 - 25.00	±0.10	25.01 - 50.00	±0.15	50.01 - 100.00	±0.20	100.01 - ABOVE	±0.30	<p>DEBENACOUSTICS</p> <p>Woodbridge, Suffolk, England, IP12 4WW</p> <p>email: g.bank@debenacoustics.com</p>	
0.00 - 25.00	±0.10										
25.01 - 50.00	±0.15										
50.01 - 100.00	±0.20										
100.01 - ABOVE	±0.30										
<p>CONFIDENTIAL ©</p>		<p>A3</p>									