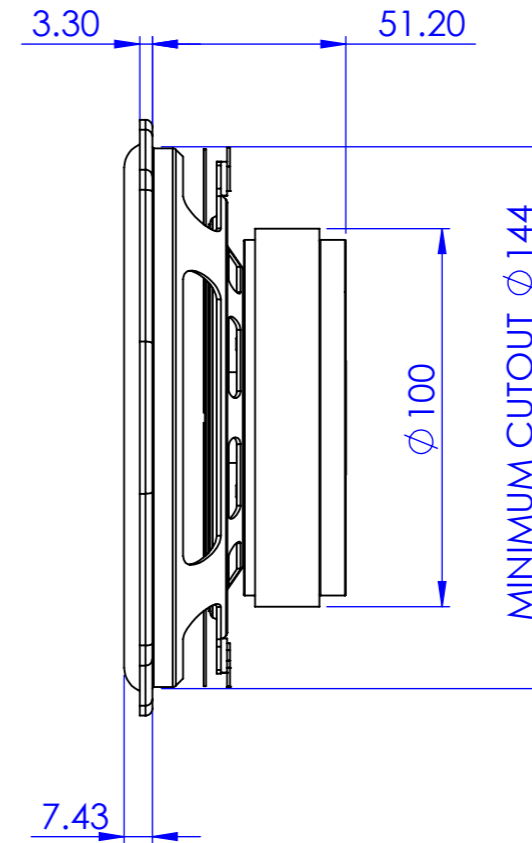
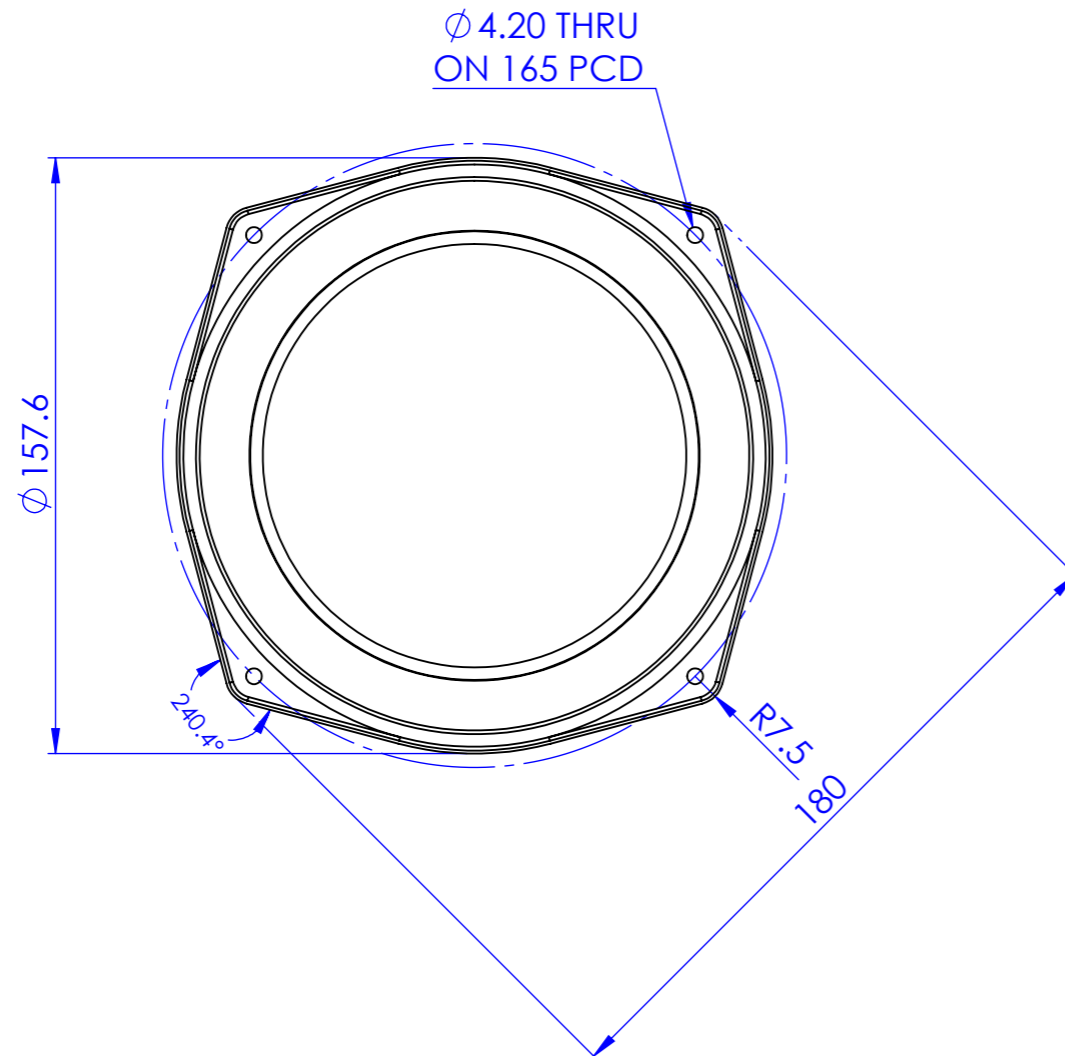
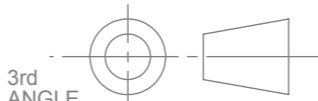


REVISIONS		
REV.	DESCRIPTION	DATE
A	original	11/07/2014



THE COPYRIGHT & INTELLECTUAL PROPERTY OF THIS DRAWING IS VESTED IN: DEBEN ACOUSTICS LTD., WOODBRIDGE, ENGLAND AND/OR COTSWOLD SOUND SYTEMS LTD.

	TITLE: BMR128DDF_Architectural	DATE 11/07/2014
		DRG. No.
DO NOT SCALE	CLIENT: CSS	DRG. BY: G Bank
SHEET 1 OF 1	MATERIAL <i>SEE NOTES</i>	FINISH <i>SEE NOTES</i>
		SCALE 1:2
TOLERANCE BAND DIMENSIONS IN mm		
0.00 - 25.00	± 0.10	DEBENACOUSTICS Woodbridge, Suffolk, England, IP12 4WW email: g.bank@debenacoustics.com
25.01 - 50.00	± 0.15	
50.01 - 100.00	± 0.20	
100.01 - ABOVE	± 0.30	
CONFIDENTIAL ©		

A3